
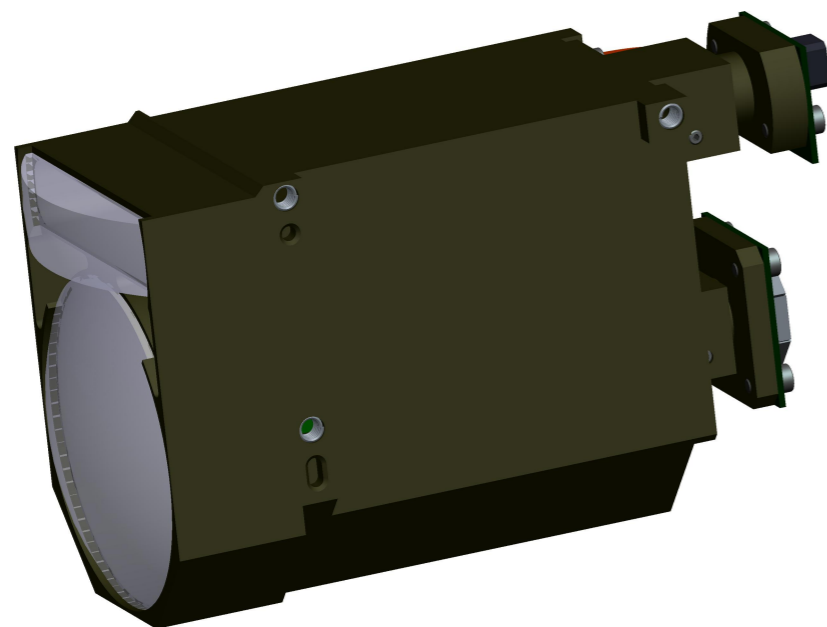
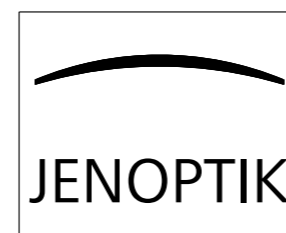


- 1.) A/B - References for alignment
- 2.) C - Production tolerance 108 - 112mm
- 3.) D - Screw length max. 4mm, max. torque 1Nm
- 4.) E - Pin length $\leq 2\text{mm}$
- 5.) General tolerance $\pm 0.1\text{mm}$ unless stated otherwise
- 6.)  Center of gravity
- 7.) T - Center of transmitter
- 8.) R - Center of receiver



This document contains information proprietary to ESW GmbH. Any disclosure, use or duplication of this document is expressly prohibited.



DLEM 45

design number: 014033-011-22

copyright by the regulations of ISO 16016
rev. 12.07.2016 subject to changes without notice

ESW GmbH | Sensors

Pruessingstrasse 41
07745 Jena, Germany

Phone +49 3641 65-3041
Fax +49 3641 65-3573
www.jenoptik.com/dcs