
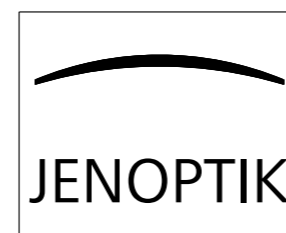


- 1.) A/B-References for alignment
- 2.) C - Production tolerance 95 - 97mm
- 3.) D - Screw length max. 4.5mm, max. torque 1Nm
- 4.) E - Pin length  $\leq 2\text{mm}$
- 5.) General tolerances  $\pm 0.1\text{mm}$  unless stated otherwise
- 6.)  Center of gravity
- 7.) T - Center of transmitter
- 8.) R - Center of receiver

This document contains information proprietary to ESW GmbH. Any disclosure, use or duplication of this document is expressly prohibited.



**DLEM 30**

design number: 014031-011-22

copyright by the regulations of ISO 16016  
rev. 12.07.2016 subject to changes without notice

ESW GmbH | Sensors

Pruessingstrasse 41  
07745 Jena, Germany

Phone +49 3641 65-3041  
Fax +49 3641 65-3573  
www.jenoptik.com/dcs