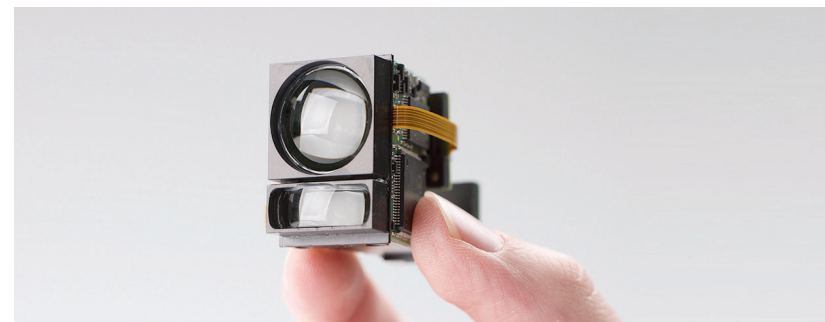
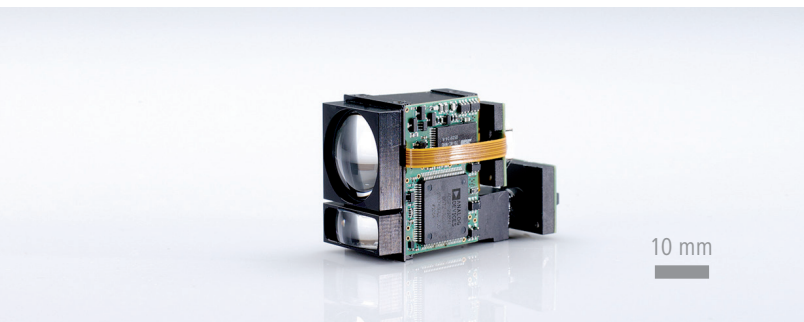




1.55 μm Diode-Laser Rangefinder DLEM SR

Ultra-compact rangefinder module for system integration



Leading Technology by Tradition

Jenoptik's expertise in development and production of laser rangefinders for various applications builds on more than 30 years of experience. Thus our customers can benefit from innovative & powerful solutions, such as the new DLEM SR.

Powerful, accurate and reliable

The compact DLEM SR measures distances from 10 meters to more than 1500 meters fast and with an absolute accuracy of better than one meter within the full specified temperature range. It delivers reliable measurement results even under low visibility conditions (fog, rain, snowfall). Operating at a wavelength of 1.55 μm , the rangefinder works eyesafe and is not detectable with night vision devices based on image intensifier tubes.

Compact and easy to integrate

The lightweight, compact optical and mechanical design allows for easy integration into various handheld, mobile or stationary measuring or fire control systems. Especially, its low power consumption recommends the DLEM SR as light infantry equipment. It is shock resistant and suited for use under harsh environmental conditions. It can be controlled via a standard serial interface.

Benefits

- Extremely compact and lightweight design
- 1.55 μm operating wavelength
- Reliable and accurate results over wide temperature range
- Eyesafe operation

1.55 μm Diode-Laser Rangefinder DLEM SR

Ultra-compact rangefinder module for system integration

Specifications

Measurement parameters

Typical measuring range ^{1,2}	> 1500 m
Total measuring range ³	10 m ... 5000 m
Measuring accuracy (1σ) ⁴	valid for full operating temperature range standard: < 1 m optional: < 0.5 m
Measuring time ⁵	0.1 s ... 1 s (programmable)
Typical measuring rate	1 Hz
Maximum measuring rate	25 Hz
Target discrimination ²	25 m ... 50 m
Multiple target detection	5 targets

Transmitter

Type	Diode laser
Wavelength	1.55 μm
Laser classification	Eyesafe class 1 (EN 60825-1:2007)

¹⁾ NATO standard target, 30% reflectivity, 10 km visibility, 0.5 s measuring time

²⁾ Depending on target and measuring conditions, e.g. environmental conditions

³⁾ Lower range limit available (built-in, some limitations may apply)

⁴⁾ Increased accuracy available on request (some limitations may apply)

⁵⁾ Product version with other measuring time range available on request.

Communication interfaces

Data interface	RS232 CMOS level 3.3 V, 19200 baud
----------------	---------------------------------------

Electrical parameters

Power supply	3 VDC (Standard lithium battery, e.g. CR123)
Power consumption	operation < 2 W (peak) stand-by < 50 mW shut-down < 3 μW

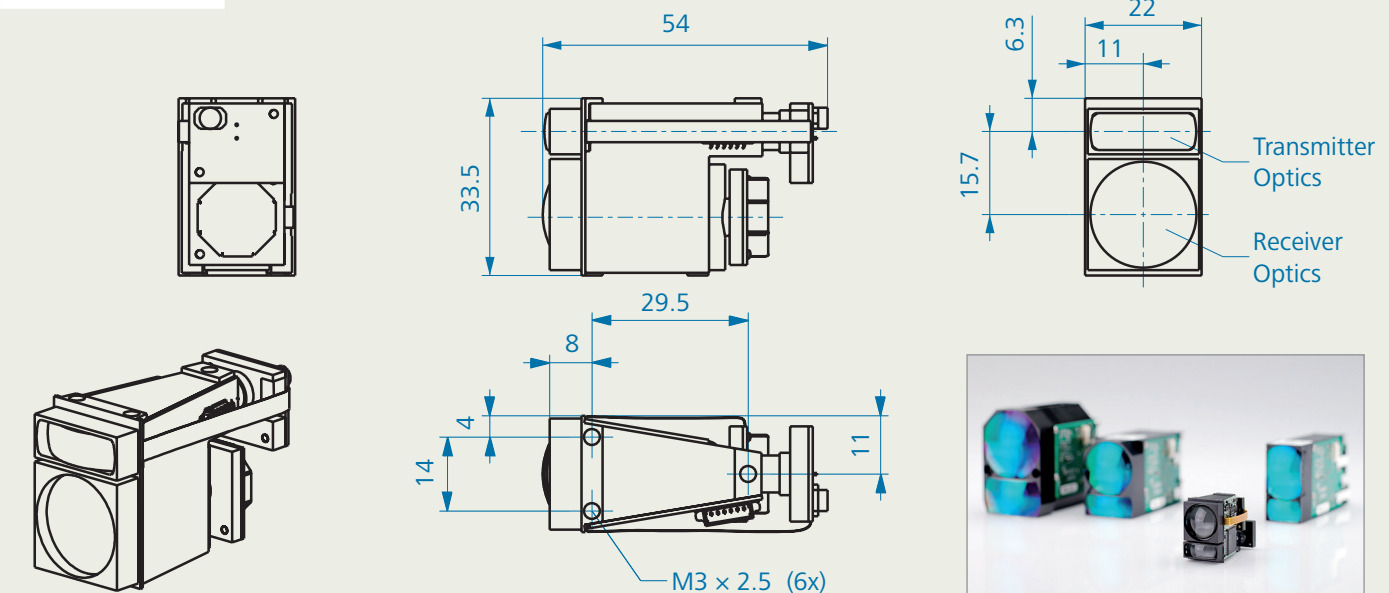
Mechanical Dimensions

Weight	< 40 g
Dimensions (L x W x H)	54 mm x 22 mm x 34 mm

Ambient conditions

Operation temperature	- 40 °C ... + 75 °C
Storage temperature	- 46 °C ... + 85 °C
Shock resistance	1500 g, 1 ms

Dimensions DLEM SR



The DLEM product family: 4k, 2k, SR and 1k

"Within the evolution of high performance laser rangefinders, the DLEM SR is one more consequent step forward towards creating most compact, yet powerful solutions optimized for integration into portable optronic equipment."

It is our policy to constantly improve the design and specifications. Accordingly, the details represented herein cannot be regarded as final and binding.



JENOPTIK | Defense & Civil Systems
JENOPTIK Defense, Inc.
16490 Innovation Drive
Jupiter, FL 33478 | USA
www.jenoptik.com/us-defense



Distributor
International Defense & Security Solutions, Inc.
525K East Market St. | #156
Leesburg, VA 20176 | USA
Phone 1.800.644.5098 x101 | Fax 702.232.1439
info@idssi.com | www.idssi.com

012629SRIDSSI-001-99-14-091 3-en