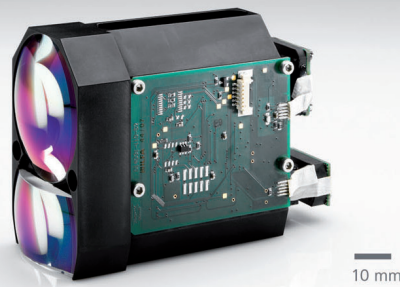




1.55 μm Diode-Laser Rangefinder DLEM 4k

Compact rangefinder module for system integration



Leading Technology by Tradition

Jenoptik's expertise in development and production of laser rangefinders for various applications builds on more than 30 years of experience - for the benefit of our Customers.

Powerful, accurate and reliable

The DLEM 4k measures distances typically up to more than 3200 meters fast and with an absolute accuracy of better than one meter within the full specified temperature range. It delivers reliable and accurate measurement results also under difficult atmospheric conditions.

Operating at a wavelength of 1.55 μm , the rangefinder works eyesafe and is not to detect with night vision devices based on image intensifier tubes.

Compact, energy saving and easy to integrate

The lightweight, compact optical and mechanical design allows for easy integration into various handheld, mobile or stationary measuring or fire control systems.

Especially, its low power consumption recommends the rangefinder as light infantry equipment.

The rangefinder is configured as a rangefinder module and can be controlled via a RS232 interface. It is suited for usage under harsh environmental conditions.

Benefits

- Compact, lightweight design
- 1.55 μm operating wavelength
- Low energy consumption
- Eyesafe operation

1.55 μm Diode-Laser Rangefinder DLEM 4k

Compact rangefinder module for system integration

Specifications

Measurement parameters

Typical measuring range	> 3.2 km ^{1,2}
Total measuring range	10 m ... 5000 m
Measuring accuracy (1σ)	< 1 m
Typical measuring rate	1 Hz ^{1,2}
Target discrimination	25 m ... 50 m (depending on measurement conditions)
Multiple target detection	Yes

Transmitter

Laser type	Diode laser
Wavelength	1.55 μm
Measure divergence	0.6 mrad \times 0.7 mrad
Laser classification	Eyesafe class 1 (EN 60825-1:2007)

¹⁾ Measuring range 3200 m, measured at standard target 2.3 m \times 2.3 m, 10 % albedo, Visibility $V_n = 10$ km, 0.5 s measuring time

²⁾ Measuring range 4500 m, measured at standard target 2.3 m \times 2.3 m, 30 % albedo, Visibility $V_n = 10$ km, 1 s measuring time

Communication interfaces

Data interface	RS232, CMOS level 3.3 V
----------------	-------------------------

Electrical parameters

Power supply (external)	4 ... 10 VDC nominal voltage
Power consumption	operation < 3 W stand-by < 30 mW shut-down < 50 μW
Peak current	< 1 A for max. 1 ms duration

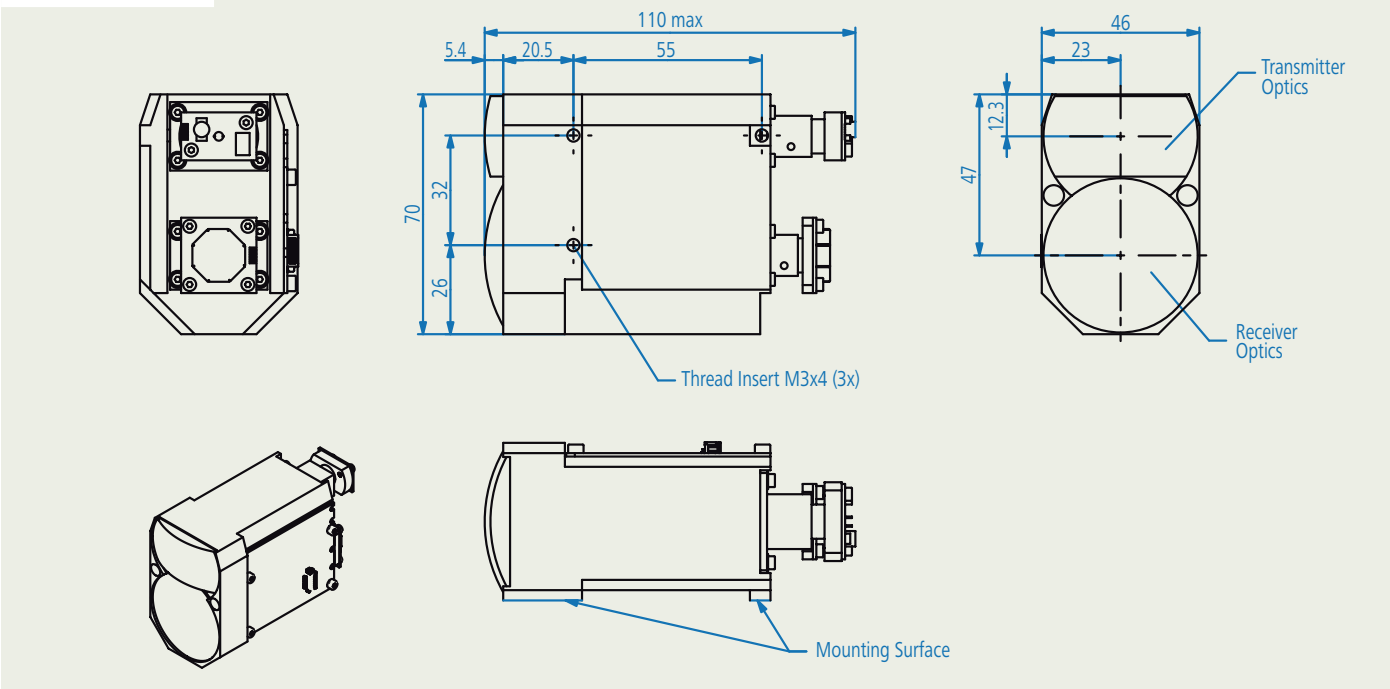
Mechanical Dimensions

Weight:	170 g
Dimensions (L \times W \times H)	110 mm \times 46 mm \times 70 mm

Ambient conditions

Operation temperature	- 40 $^{\circ}\text{C}$... + 80 $^{\circ}\text{C}$
Storage temperature	- 46 $^{\circ}\text{C}$... + 85 $^{\circ}\text{C}$
Shock resistance	1000 g, 1 ms

Dimensions DLEM 4k



It is our policy to constantly improve the design and specifications. Accordingly, the details represented herein cannot be regarded as final and binding.



JENOPTIK | Defense & Civil Systems
 JENOPTIK Defense, Inc.
 16490 Innovation Drive
 Jupiter, FL 33478 | USA
www.jenoptik.com/us-defense



Distributor
 International Defense & Security Solutions, Inc.
 525K East Market St. | #156
 Leesburg, VA 20176 | USA
 Phone 1.800.644.5098 x101 | Fax 702.232.1439
info@idssi.com | www.idssi.com

014033IDSSI-06-99-14-0913-en